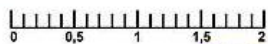
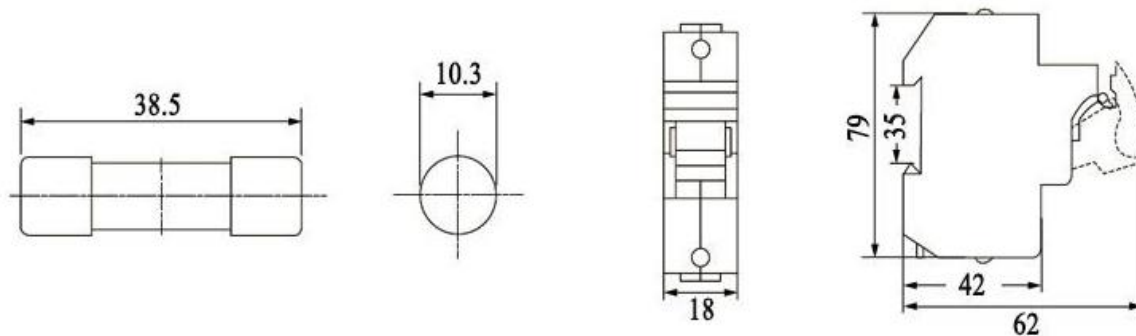


10A 500V 10x38mm

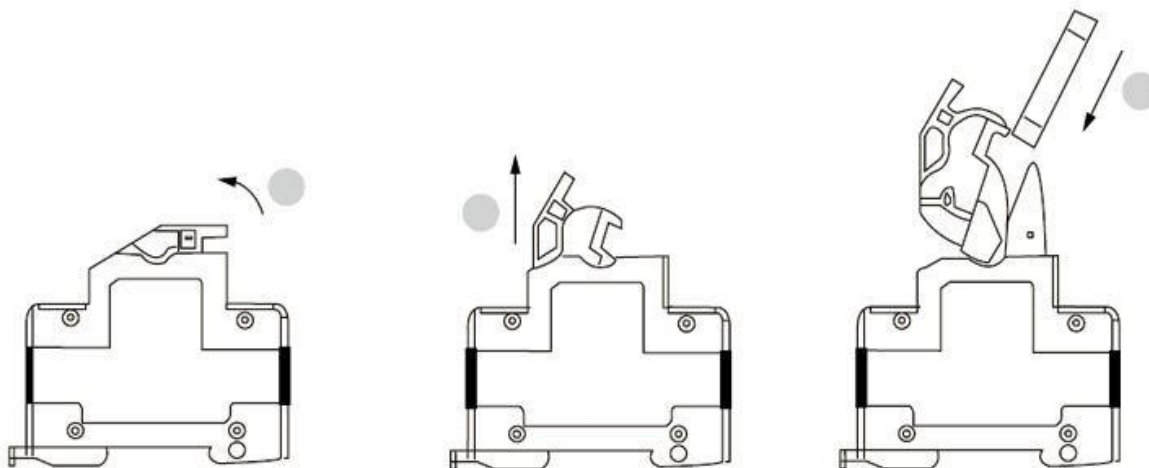


ZIP-2002.ru

## DIMENSION



## INSTALLATION



### dc fuse Application:

A range of 10x38mm fuse links specifically designed for protectin photovoltaic strings. These fuse links are capable of interrupting low overcurrents associated with faulted photovoltaic string arrays (reverse current, multi-array fault).

Item	dc fuse	
Code	Предохранитель 10A 10x38mm	
Name	FUSE	FUSE HOLDER
Pole	1P	1P
Voltage	≤1000VDC	
Current	1A,2A,3A,4A,5A,6A,8A,10A,12A,15A,20A,25A,32A	
Biggest block ability(KA)	33KA	
Standard	IEC/EN60269	
Commection(mm)	2.5-10	
Power consumption(W)	3.5	
Working Temperature	"-5°"to +40°	
Protection Degree	IP20	
Dimension(W)X(H)X(D)	10X38	18X60X78
Installation	35MM DIN RAIL	
Installation Altitude	≤2000M	